



TorquUp
torquUp

**TAKE CHARGE
OF YOUR BOLTING**

VT BATTERY TORQUE WRENCH

VT

BATTERY TORQUE WRENCH

THE WRENCH THAT CHANGED EVERYTHING

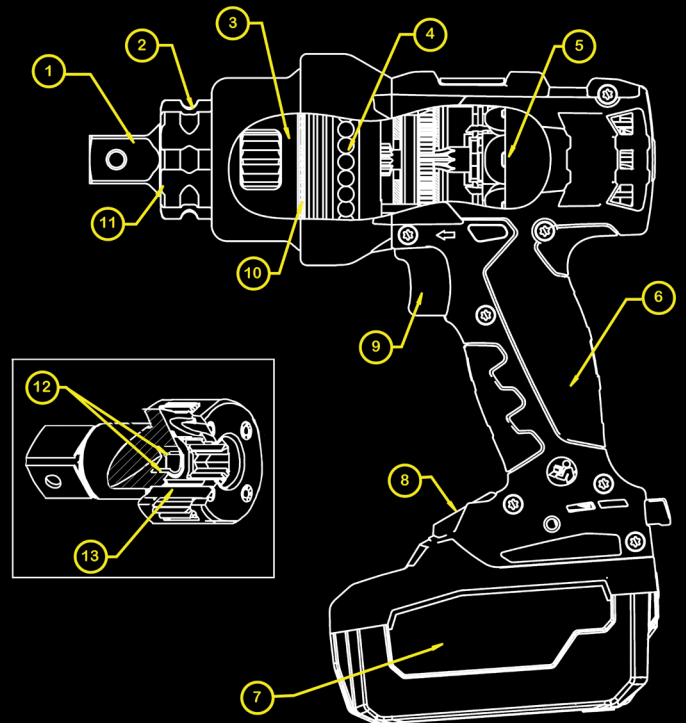
ENGINEERED TO MASTER ANY APPLICATION EFFORTLESSLY, YOUR ABILITY TO TORQUE INDUSTRIAL FASTENERS IS A SIMPLE AND QUICK CHARGE AWAY. FULLY CHARGED IN UNDER 60 MINUTES, THE VOLTA'S LITHIUM POWER WILL PROVIDE YOU WITH THE CAPABILITY TO TORQUE HUNDREDS OF FASTENINGS WITH NO HOSES OR CORDS TO LIMIT YOUR REACH. WITHIN THE VOLTA IS A DIGITAL MOTOR VECTORING SYSTEM THAT PROVIDES ACCURATE AND REPEATABLE TORQUE THROUGHOUT EACH MODEL'S FULL RANGE. THE VOLTA EXEMPLIFIES THE DURABILITY, RELIABILITY AND SAFETY THAT HAS EMBODIED EVERY INDUSTRIAL WRENCH CRAFTED BY TORCUP SINCE THE COMPANY'S FOUNDING IN 1996.

WWW.TORCUP.COM



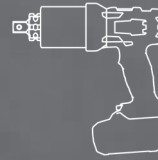
THE POWER INSIDE

1. HARDENED ALLOY STEEL FOR DURABILITY AND LONG CYCLE LIFE
2. BEARINGS SUPPORT THE LOADS EXPERIENCED AT THE SQUARE DRIVE
3. MULTI-STAGE PLANETARY GEAR SYSTEMS WITH OPTIMIZED TOOTH DESIGN
4. SMOOTH BALL BEARING ROTATION OF THE GEARBOX HOUSING INDEPENDENT FROM THE MOTOR HANDLE
5. HIGH-EFFICIENCY BRUSHLESS MOTOR
6. ERGONOMIC GLASS-FILLED NYLON HANDLE WITH A DURABLE SLIP-RESISTANT OVERMOLD
7. 18V 7.0 AH LIHD BATTERY THAT PROVIDES EXTENDED RUN-TIME
8. LCD DISPLAY FOR SETTING AND VIEWING TORQUE AND UNITS
9. SOFT-START TRIGGER
10. THRUST BEARING BETWEEN STAGES ISOLATE THE MOTOR WHEN USED IN ALL ORIENTATIONS
11. O-RINGS SEAL GREASE IN WHILE KEEPING DIRT AND WATER OUT
12. GEARS RUN ON LOW FRICTION, HIGH STRENGTH BEARING SLEEVES
13. TOOL STEEL PINS IN EACH STAGE CARRIER

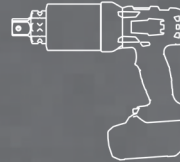




VT-500 SINGLE SPEED
TORQUE RANGE 120-500 LBF-FT
FREE SPEED 12-20 RPM



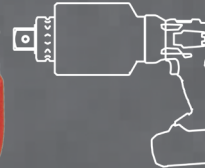
VT-1000 SINGLE SPEED
TORQUE RANGE 240-1000 LBF-FT
FREE SPEED 2-8 RPM



VT-2000 SINGLE SPEED
TORQUE RANGE 500-2000 LBF-FT
FREE SPEED 1-5 RPM



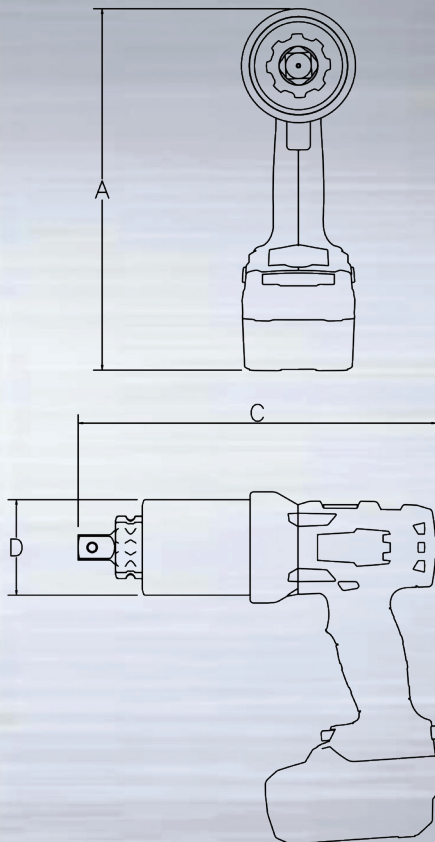
VT-3000 SINGLE SPEED
TORQUE RANGE 750-3000 LBF-FT
FREE SPEED 0.5-2 RPM



VT-6000 SINGLE SPEED
TORQUE RANGE 1200-6000 LBF-FT
FREE SPEED 0.9-1.2 RPM



POWER ENGINEERED



MODEL NUMBER	VT-500	VT-1000	VT-2000	VT-3000	VT-6000
SQUARE DRIVE	3/4"	1"	1"	1"	1 1/2"
MIN. TORQUE (lbf-ft)	120	240	500	750	1200
MAX TORQUE (lbf-ft)	500	1000	2000	3000	6000
MIN. TORQUE (Nm)	160	330	680	1020	1626
MAX TORQUE (Nm)	670	1350	2710	4030	8133
HEIGHT A (w/ battery) (in)	10.54	10.54	10.54	10.76	11.39
HEIGHT A (w/ battery) (mm)	267.7	267.7	267.7	273.3	289.0
LENGTH C (in)	8.86	10.63	11.47	13.72	14.73
LENGTH C (mm)	225.0	270.0	291.3	348.5	374.0
DIAMETER D (in)	2.56	2.85	3.09	3.75	5.00
DIAMETER D (mm)	65.0	72.4	78.5	95.3	127.0
WEIGHT (w/o reaction arm & battery) (lbs)	8.3	11.5	13.1	19.6	33.5
WEIGHT (w/o reaction arm & battery) (kg)	3.8	5.2	5.9	8.9	15.2
WEIGHT (w/ reaction arm & battery) (lbs)	10.4	14.5	15.9	22.5	43.3
WEIGHT (w/ arm & battery) (kg)	4.7	6.6	7.2	10.2	19.6
RPM at Min. Torque	12	2	1	0.5	0.9
RPM at Max Torque	20	8	5	2	1.2

*Reference values only. Consult calibration torque chart provided with tool.

Charger Requirements: 110 - 120 V (50-60 Hz)
 and 230 - 240 V (50-60 Hz)



VT SERIES
BATTERY-POWERED
TORQUE WRENCH

PORTABLE - LITHIUM BATTERY POWER
UNIVERSAL - GLOBAL CHARGING PLATFORM
REPEATABLE - HIGH-EFFICIENCY BRUSHLESS MOTOR

**SLIDING STRAIGHT
REACTION ARM**



**STRAIGHT
REACTION ARM**



**LONG EXTENDED
REACTION ARM**



**NOSE
EXTENSION**



VOLTA CHARGER



VOLTA BATTERY



WORLDWIDE HEADQUARTERS

1025 CONROY PLACE

EASTON, PA 18040 USA

TOLL FREE: 1-888-TORCUP-1

TELEPHONE: 1-610-250-5800

FAX: 1-610-250-2700

WWW.TORCUP.COM



**TOOL
CARRYING
CASE**

